

Annual Assessment - March 2017
Science
Class-7

Maximum Marks: 80

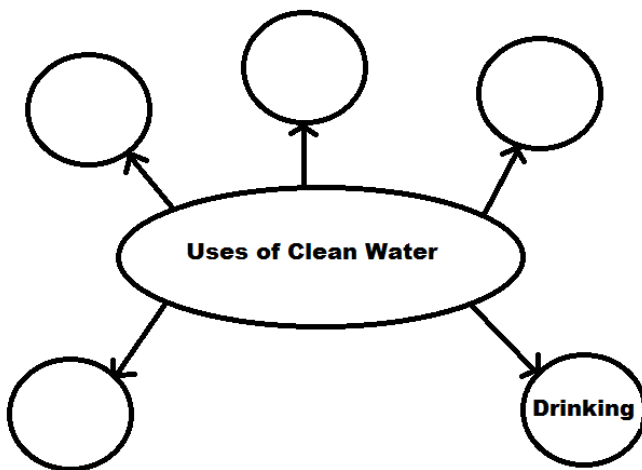
Time: 150 Minutes

Instructions:

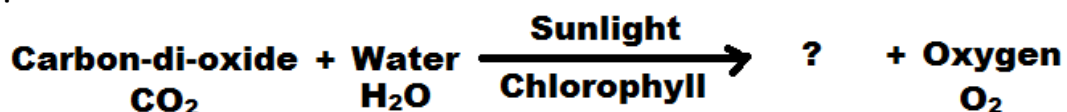
- All questions are compulsory.
- Marks are given in front of each question.

1. _____ is the process by which plants prepare their food. 1
(a) Afforestation (b) Photosynthesis (c) Transpiration (d) Saprophytic Nutrition
2. Largest gland in human body is: 1
(a) Small intestine (b) Liver (c) Pancreas (d) Stomach
3. The plant fiber which is used in the manufacturing of clothes is: 1
(a) Nylon (b) plastic (c) Cotton (d) Leather
4. Rearing of silkworm is called: 1
(a) Apiculture (b) Agriculture (c) Horticulture (d) Sericulture
5. The instrument used to measure temperature is called as: 1
(a) Thermometer (b) Barometer (c) Centimeter (d) Nanometer
6. The acids are _____ in taste. 1
(a) sweet (b) sour (c) bitter (d) salty
7. Cyclones are very common at sea shores. Which of the following place have least chances of a cyclone? 1
(a) Chennai (b) Mumbai (c) Ambala (d) Vishakhapatnam
8. Which of the following gas turns lime water milky? 1
(a) O₂ (b) N₂ (c) CO₂ (d) O₃
9. The respiratory organ of fishes are known as: 1
(a) lungs (b) skin (c) trachea (d) gills
10. What is the effect of deforestation on soil erosion? 1
(a) decreases (b) increases
(c) no effect (d) either decreases or increases
11. Many times the roofs of huts and houses are flown away at the time of storm due to high wind flow. The reason for this is: 1
(a) increase in atmospheric pressure (b) decrease in atmospheric pressure
(c) no change in atmospheric pressure (d) it does not depends upon atmospheric pressure
12. Which of the following equation is correct? 1
(a) Speed = Distance x Time (b) Speed = Distance / Time
(c) Speed = 1/ Distance x Time (d) Speed = Time / Distance

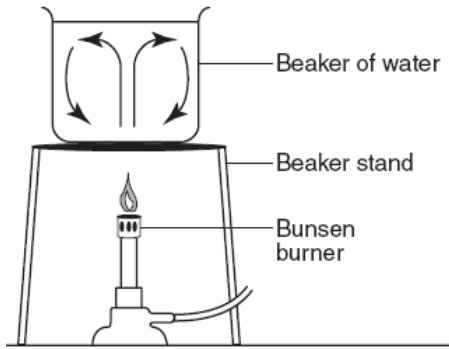
13. After rainfall you have seen rainbow in the sky? How many colours it consists? 1
 (a) 1 (b) 5 (c) 7 (d) 3
14. Which one of the following is a forest product? 1
 (a) Wood (b) Petrol (c) Diesel (d) Milk
15. The leaves of plants have tiny pores for gaseous exchange. These are called as ____ 1
 (a) Stomata (b) Cork (c) Spores (d) Pollens
16. You must have seen people painting iron objects. Explain the reason behind this process and also suggest two methods of saving iron objects from rusting. 2
17. When lemon juice is mixed with sodium-bi-carbonate solution, effervescence is produced and a gas is given out. What kind of change is this? Describe. 2
18. Some organisms live together and share shelter and nutrients. What is this association called? Give an example. 2
19. You have to buy a house. Would you like to purchase such a house which possesses windows but no ventilators? If not why? 2
20. In some plants seeds are not formed and new plants are propagated from roots, stem or leaves. What is the name of this type of reproduction? Name any two plants which are propagated by using this method. 2
21. What is the difference between self pollination and cross pollination? 2
22. The distance between two stations is 240 km. if a train travels this distance in 4 hours. Calculate the speed of the train? 2
23. Suggest two methods of water conservation. 2
24. Write down the uses of clean water in the given circles. 2



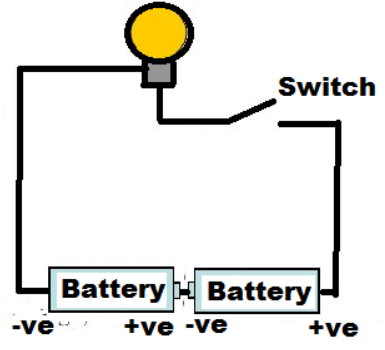
25. Write down the names of four products which are obtained from the forests. 2
26. Describe the process by which plants make their food. Further this process is shown below in the form of an equation. What should be there at question mark place in the equation? 3



27. Describe the process of formation of soil? 3
28. How many types of cells are found in our blood and what are their functions? 3
29. See the diagram given below carefully and mark where the heat is being transported by conduction, convection and radiation? 3



30. Differentiate between aerobic and anaerobic respiration. 3
31. How the process of transpiration is useful for plants? 3
32. The odometer of a car reads 57321.0 km when the clock shows the time 8:30 AM. What is the distance traveled by the if 8:50 AM, the odometer reading has changed to 57336.0 km. Calculate the speed of the car in km/minute and km/hr. 3
33. We uses plane mirror in our houses to see our face. What are the characteristic of the image formed by a plane mirror? 3
34. The bulb shown in the circuit shown below does not glow. Can you identify the problem? Make necessary changes in the circuit to make the bulb glow. 3



35. The symbols of some electric circuit components are shown below. Name the component represented by each symbol? 3



36. Describe the process by which amoeba takes its food and how is it digested? Illustrate with the help labelled diagram. 5
37. Write down the differences between acids and bases. Name two natural indicators? 5
38. Name the factors which determine the weather of a place. 5